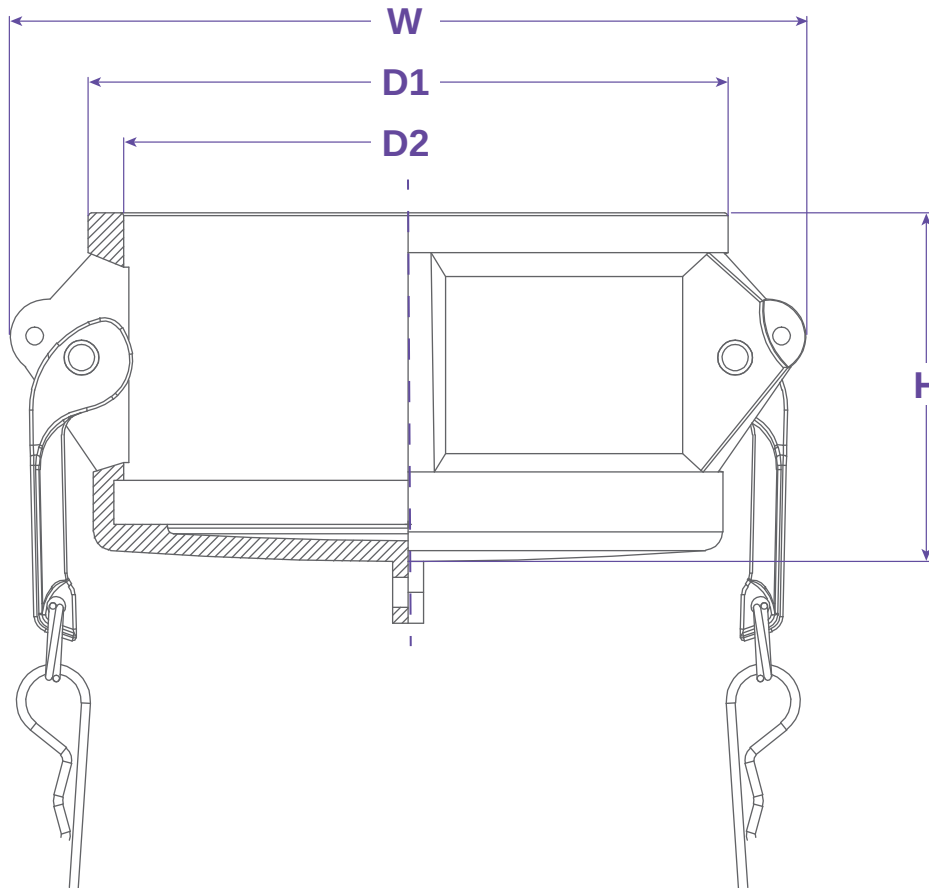




TYPE DC



- NOT DESIGNED FOR PRESSURE APPLICATIONS -

FEATURES & APPLICATIONS:

• General Uses:

A camlock fitting is a type of coupling that is used to connecting hose and or pipes together that transfers liquids, powders and granules. A straight through connection is made that maintains the pipe size and allows the free flow of materials being transferred.

Size	PSI	D1	D2	W	H	PART #
3/4"	0	1.614	1.272	2.284	1.299	DC075IBR
1"	0	1.835	1.465	2.598	1.508	DC100IBR
1-1/4"	0	2.213	1.811	3.071	1.850	DC125IBR
1-1/2"	0	2.500	2.122	3.386	1.890	DC150IBR
2"	0	2.913	2.508	3.780	2.047	DC200IBR
2-1/2"	0	3.465	3.008	4.331	2.224	DC250IBR
3"	0	4.038	3.626	5.079	2.224	DC300IBR
4"	0	5.311	4.732	6.181	2.323	DC400IBR
5"	0	6.378	5.752	7.323	2.421	DC500IBR
6"	0	7.579	6.949	8.898	2.598	DC600IBR

WARNING: Cam & Groove Couplings should NOT be used with any compressed gas, including steam or air. Metal fittings should NOT be used with Polypropylene Cam & Groove. Dust Caps and Dust Plugs are NOT designed for pressure applications.

Note: All Seal Fast Cam & Groove Stainless Bodies are 316 Investment with 304 Handles.

TITLE **TYPE DC - DUST CAP**

DISCLAIMER

All drawings and specifications are subject to change without notice. Drawings represent general dimensions of our products. Seal Fast cannot guarantee the dimensions in the drawing will exactly match those in the drawing. This drawing is the property of Seal Fast Inc. Copying or reproduction of this drawing is expressly prohibited.

MATERIAL

BRASS

DRAWING NOT TO SCALE

PART #

DC...IBR

